



MyPBX U100/U200 Installation Guide

Version 1.1

Date: 9th Aug, 2013

Yeastar Information Technology Co. Ltd

Table of Contents

1. PREPARATION BEFORE INSTALLATION.....	4
2. HARDWARE SPECIFICATIONS	5
2.1 OVERVIEW.....	5
2.2 LED INDICATORS AND PORTS	6
2.3 SPECIFICATIONS AND OPERATING ENVIRONMENT	8
3. MYPBX U100 & U200 INSTALLATION.....	8
3.1 PLACEMENT INSTRUCTIONS	8
3.2 INSTALLATION INSTRUCTIONS	8
3.2.1 Connection of Ethernet Ports	8
3.2.2 Connection of FXO/GSM/UMTS/BRI ports	9
3.2.3 Connection of FXS ports	11
3.2.4 Power Connection.....	11
3.2.5 Overall Flow Chart.....	12
4. MYPBX U100 & U200 BASIC CONFIGURATIONS	12
4.1 FACTORY DEFAULTS	12
4.2 LOGGING IN THE WEB CONFIGURATION PANEL.....	12
4.3 NETWORK SETTINGS.....	14
4.4 EXTENSIONS SETUP AND MANAGEMENT	14
4.5 CONFIGURING TERMINALS	14
4.6 MAKING/RECEIVING CALLS	15
4.7 RESET TO FACTORY DEFAULTS	15
5. CONCLUSION	16

ABOUT MYPBX U100 & U200

MyPBX U100 is a 1U rack mount model IP PBX for up to 25 concurrent calls and 100 users. Internally, it supports network access to ISDN BRI, PSTN, GSM/UMTS and VoIP. High performance, stability and compatibility, combined with rich functionality make MyPBX U100 perfectly suited for your business communication.

MyPBX U200 is a workhorse designed for companies requiring up to 50 concurrent calls and 200 users. It supports PSTN, ISDN BRI lines, GSM/UMTS networks and VoIP. Also, it is equipped with an audio input port and an audio output port. MyPBX U200 is truly unrivalled for features and value.

The scalability of MyPBX U100 & U200 is impressive. With the deployment of MyPBX U100 & U200, the company will no more worry about the high expansion costs and the waste of their previous investment. The modular technology enables the company to freely choose the combination of FXO, FXS, BRI, GSM, and UMTS modules as required, and just add on the type of modules that are needed for future expansion. For example, if 2 more PSTN lines are required, they needn't bother to buy a new PBX. Just add another O2 module (2 FXO ports) is OK. Also, the new user account is free of charge. The company is not going to pay any license fees for new employees.

Moreover, MyPBX U100 & U200 has perfect interoperability with mainstream IP Phone brands such as Yealink, Snom, Grandstream, Aastra, Polycom and Cisco. Auto provisioning of Yealink, Snom, Cisco, Aastra and Polycom IP phones would greatly save time on configurations when there is bulk extensions to register.

Besides, customers from different countries will all feel comfortable while using MyPBX U100 & U200. Because they are able to select their local language for Web GUI and Voice Prompt. Furthermore, it is renowned for its user-friendly web configuration panel which is easy accessible and self-evident making configuration a trouble-free job.

This Guide explains how to install MyPBX U100 & U200, how to configure MyPBX U100 & U200 via web interface, how to add extensions, and make/receive calls via PSTN lines.

1. Preparation before Installation

Please make sure the following devices are available before

installation:

Contents of the box

Upon receiving MyPBX U100 & U200 gift box, please open the package and check if all the items are supplied as MyPBX U100 & U200 Packing List (See Sheet 1). If there is any problem, please contact your provider.

Item	Unit	QTY	Description
MyPBX U100 & U200	PC	1	MyPBX U100 & U200 main box
Power cord	PC	1	For the input of 220V AC power
Warranty card	PC	1	With Series Number printed for Repair & Return
CD	PC	1	including all the MyPBX User Manuals and relative documents
phone line	PC	2	
Network Cable	PC	1	
Serial Line	PC	1	
Mounting ear	PC	2	
Screws	PC	8	8 screws ($\phi 3.0 \times 6\text{mm}$) for mounting ears

Sheet 1 MyPBX U100 & U200 Packing List

2. Hardware Specifications

2.1 Overview



Figure 2-1 MyPBX U100



Figure 2-2 MyPBX U200

2.2 LED Indicators and Ports

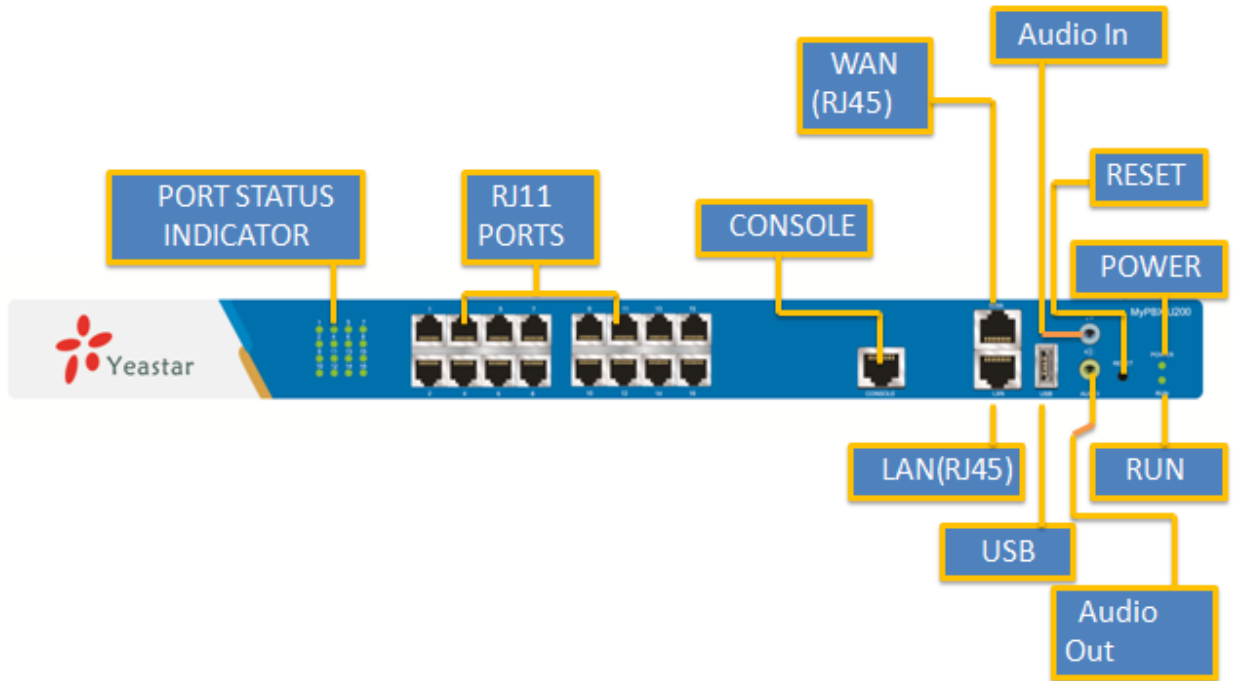


Figure 2-3 MyPBX U100 & U200 Front Panel

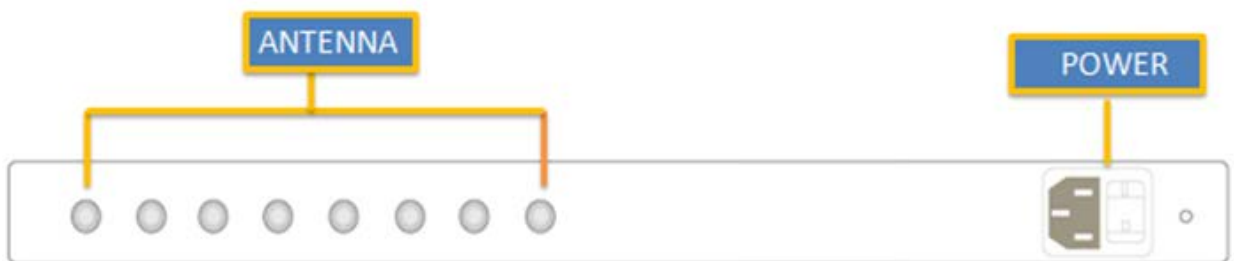



Figure 2-4 MyPBX U100 & U200 Rear Panel

LED	Indication	Status	Description
Power	Power status	On	The power is switched on.
		Off	The power is switched off.
RUN	MyPBX status	Blinking	MyPBX is running properly.
		Not Blinking/Off	MyPBX goes wrong.
1-16	FXO port status	Red light	The red light is blinking: the PSTN line hasn't been Connected. The red and green lights are blinking alternately: there is an incoming call. The red and green light are blinking

			alternately and rapidly: the call is connected and the trunk is in use.
	GSM/ UMTS port status	Red light	The red light is blinking: no SIM card inserted. The red and green lights are blinking alternately: there is an incoming call. The red and green lights are blinking alternately and rapidly: the call is connected and the trunk is in use.
	BRI port status	Orange light	Orange light: indicates the BRI port The orange light is blinking: the BRI line is disconnected. The orange light is on: the BRI line is connected or in use.
	FXS port status	Green light	The green and red lights are blinking alternately: the FXS port is ringing. The green and red lights are blinking alternately and rapidly: the call is connected and the FXS port is in use

Ports	Description
RJ11 ports	<p>FXO port (red light): For the connection of PSTN lines or FXS ports of traditional PBX. MyPBX users could make or receive calls via FXO port.</p> <p>FXS port (green light): For the connection of analog phones.</p> <p>BRI port (orange light): For the connection of ISDN BRI lines. MyPBX users could make or receive calls via BRI port.</p> <p>Note: The sequence number of the ports corresponds to that of the Indicator lights in the front panel. (I.e. the LED lights in the front indicate the connection status of the corresponding ports at the back panel.)</p>
Antenna ports	For the connection of GSM/UMTS Antenna.
Console port	For debugging.
USB port	For the storage of call recording files.
Ethernet ports	<p>MyPBX U100 & U200 provides two 10/100 adaptive RJ45 Ethernet ports, marked as LAN and WAN.</p> <p>-LAN port: LAN port is for the connection to Local Area Network (LAN).</p> <p>-WAN port: WAN port is the network port for the connection to internet. It supports "DHCP server", "PPPoE/dynamic DNS", and "static IP" for IP address assignment.</p>
Reset Button	<p>Press the reset button to restore the factory defaults.</p> <p> Please make sure that you'd like to reset because once reset, the previous configurations would be erased automatically.</p>
Power port	For the connection of a power adapter to input 100~240V, 50~60HZ AC power.

2.3 Specifications and Operating Environment

	Description
Size	L 340 * W 210 * H 44 (mm)
Power Supply	220 V, 50~60 Hz
Operating Temperature	0°C~50°C (32°F~122°F)
Storage Temperature	-10°C~65°C (14°F~149°F)
Operating Humidity	5%~90% (Non-condensing)
Storage Humidity	0%~95% (Non-condensing)
Weight	2.1 kg

3. MyPBX U100 & U200 Installation

i To avoid unexpected accident, personal injury or device damage, please read the following instructions before installing MyPBX U100 & U200.

3.1 Placement Instructions

- ◆ Ambient Temperature: to avoid overheating, please do not run MyPBX U100 & U200 in the place where the ambient temperature is above 122°F (50°C).
- ◆ Ventilation: please make sure that the device has good ventilation around.
- ◆ Anti-jamming: there may be some sources of interference that might affect the normal running of MyPBX U100 & U200. It's highly recommended that the device
 - Should be placed away from high-power radio, radar transmitters and high frequency, and high-current devices.
 - Is using independent power junction box and effective anti-grid interference measures have been taken.
- ◆ Mechanical load: Please make sure that the device is placed steadily to avoid any accident that might cause damage. If placed on the desktop, please ensure it is horizontally placed.

3.2 Installation Instructions

After placing MyPBX U100 & U200 in a suitable place, please connect the power adapter and all other cables to complete the installation.

3.2.1 Connection of Ethernet Ports

MyPBX U100 & U200 provides two 10/100M adaptive RJ45 Ethernet ports, that is, LAN port and WAN port.

◆ WAN Port Connection

Connect one end of a network cable to the WAN port of MyPBX U100 & U200, and the other end to the Ethernet port of a hub, switch or ADSL modem.

◆ LAN Port Connection

Connect one end of a network cable to the LAN port of MyPBX U100 & U200, and the other end to any port of company's LAN switch/router.

📘 If the LAN port is connected to PC directly (not via a switch), please use cross-over cable.

3.2.2 Connection of FXO/GSM/UMTS/BRI ports

MyPBX U100 & U200 supports various outside lines (e.g. FXO, GSM/UMTS, or BRI). Below are the connection instructions of each kind of outside line taking the device installed with 2 FXO ports, 2 GSM ports, and 2 BRI ports as an example.

1. Connection of FXO ports

The FXO port could be connected to the PSTN line or the FXS port of a traditional PBX with a phone line.

For instance, if No.2 and No.4 connectors are FXO ports, the connection could be depicted as below:

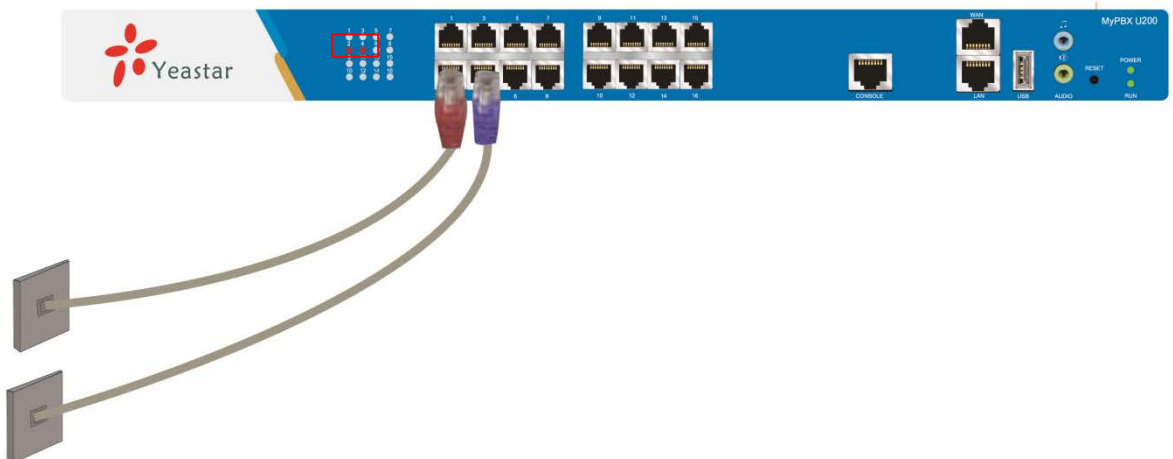


Figure 3-1 Connection of FXO ports

2. Connection of GSM/UMTS ports

If No.3 and No.7 connectors are GSM/UMTS Ports, the steps of connection are as below:

Step 1: Open the Upper case of MyPBX U100 & U200

Step 2: Insert the SIM card:

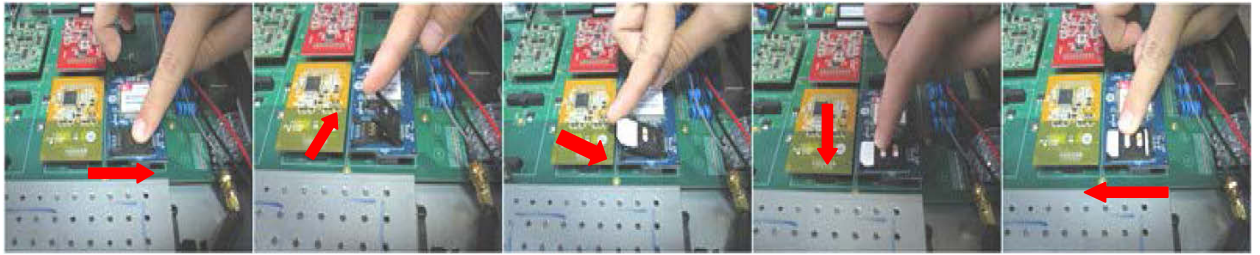


Figure 3-2 Inserting the SIM Card

Step 3: Connect the antenna

Once completed, the No.3 and No.7 LED lights would turn red as below figure:

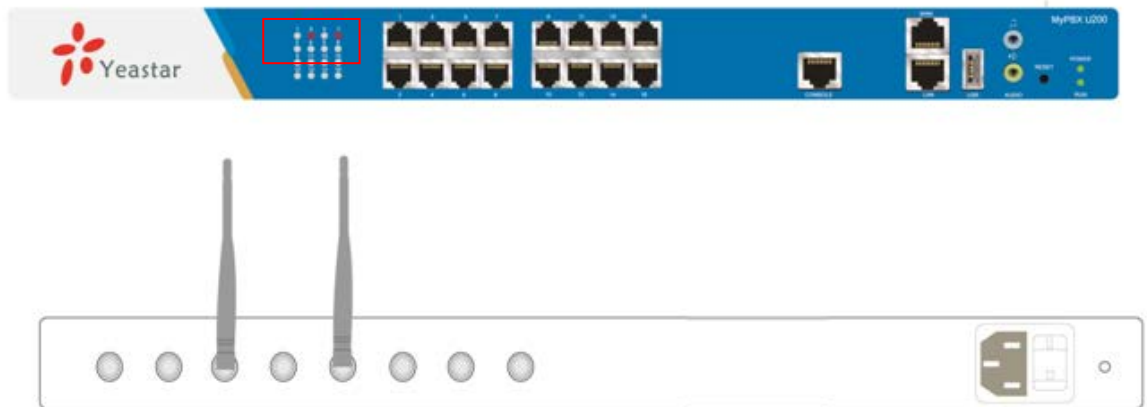


Figure 3-3 Connection of GSM/UMTS ports

3. Connection of BRI ports

The BRI port could be connected to the BRI line and the BRI port of a traditional PBX with a BRI RJ45-RJ11 cable.

For instance, if No.14 and No.16 connectors are BRI ports, the connection could be depicted as below:

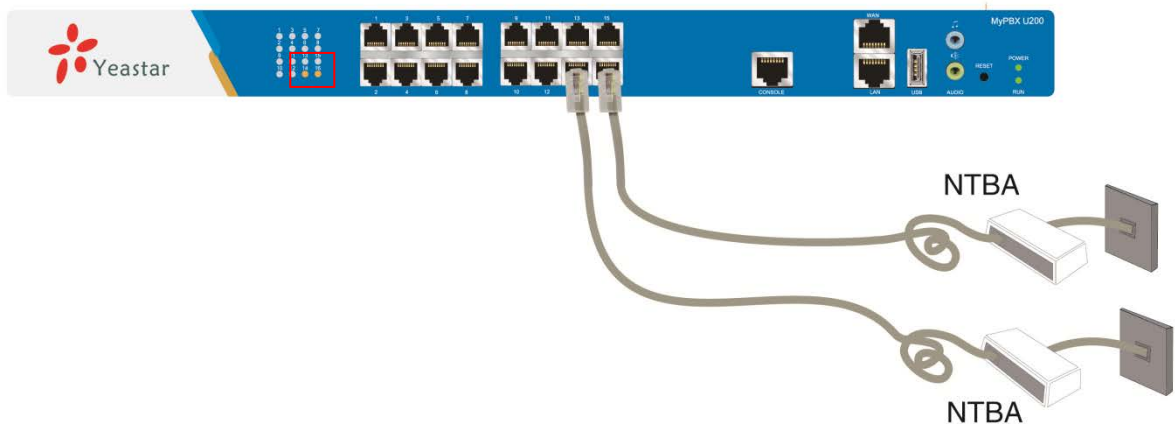


Figure 3-4 Connection of BRI ports

3.2.3 Connection of FXS ports

The FXS port could be connected to an analog phone with a phone line.

For instance, if No.6 and No.8 connectors are FXS ports, the connection could be depicted as below:

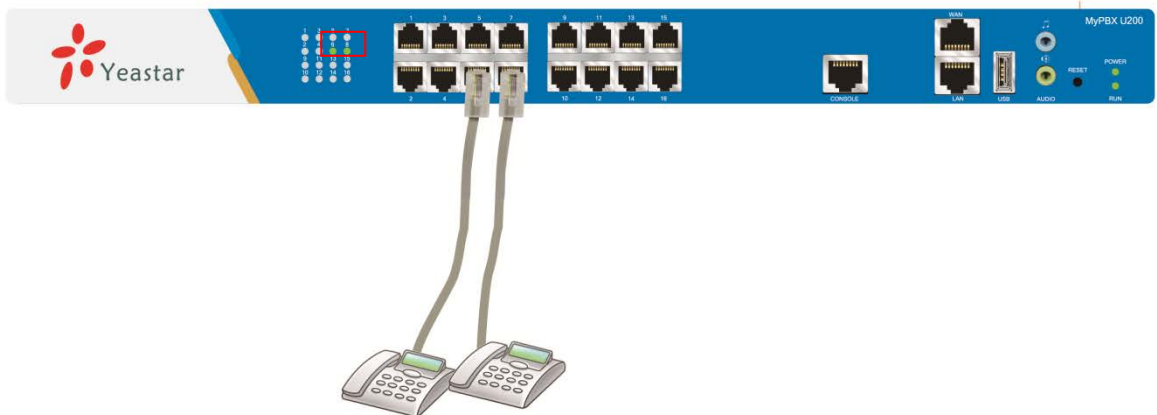


Figure 3-5 Connection of FXS ports

3.2.4 Power Connection

Once users have made sure that device installation, cable connection and power type is correct, please switch on the power. Then MyPBX U200 will start booting. In the meantime, users would see that the “POWER” and “RUN” indicator lights would turn on.

i Please switch off the power before plugging or unplugging the cables.

3.2.5 Overall Flow Chart

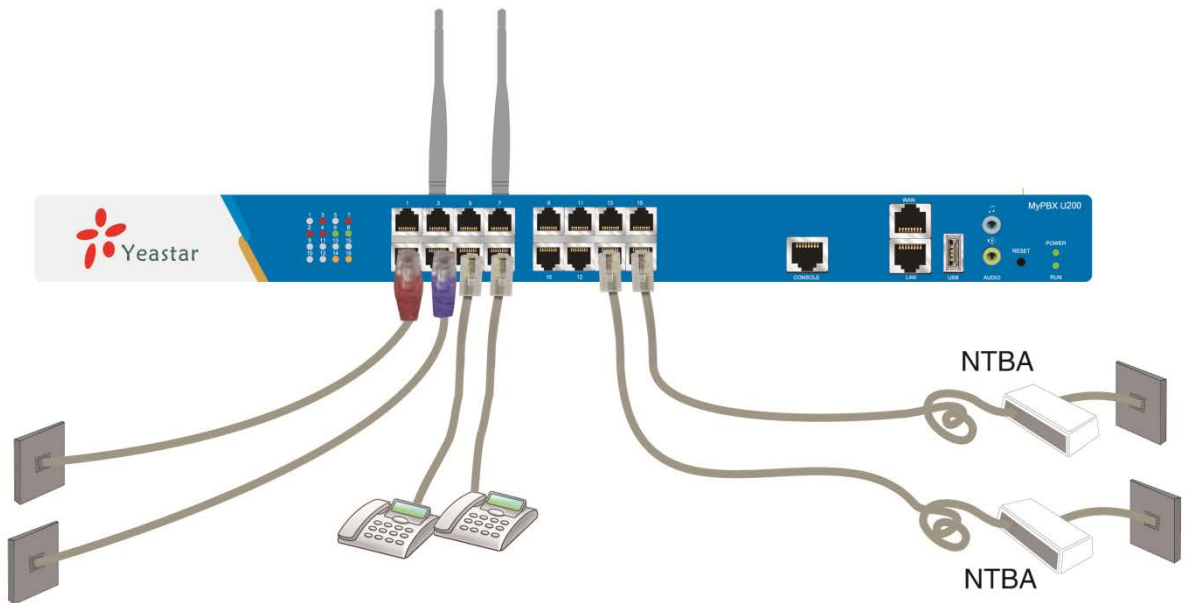


Figure 3-6 Overall Flow Chart

4. MyPBX U100 & U200 Basic Configurations

4.1 Factory Defaults

MyPBX U200 provides web-based configuration interface for administrator and account user. The user can manage the device by log in the web interface.

The factory default IP address:

LAN: 192.168.5.150;

Access path: `http://[IP address]`

User Name: admin;

Password: password

Default SIP UDP port: 5060

There are 6 extensions set up by default. The user could use these extensions directly, edit or delete them. Their extension numbers are "300"- "305" (6 numbers in a row) whose passwords are "pincode + respective extension number".

4.2 Logging in the Web Configuration Panel

Firstly, please check if the IP address that assigned to the network port (LAN or WAN) is in the

same segment with the PC and which can be connected when commit “Ping +MyPBX IP address” command. Start the browser on PC. In the address bar, enter the IP address, click “Enter” button and then you can see MyPBX Web Configuration Panel login page (See Figure 4-1).

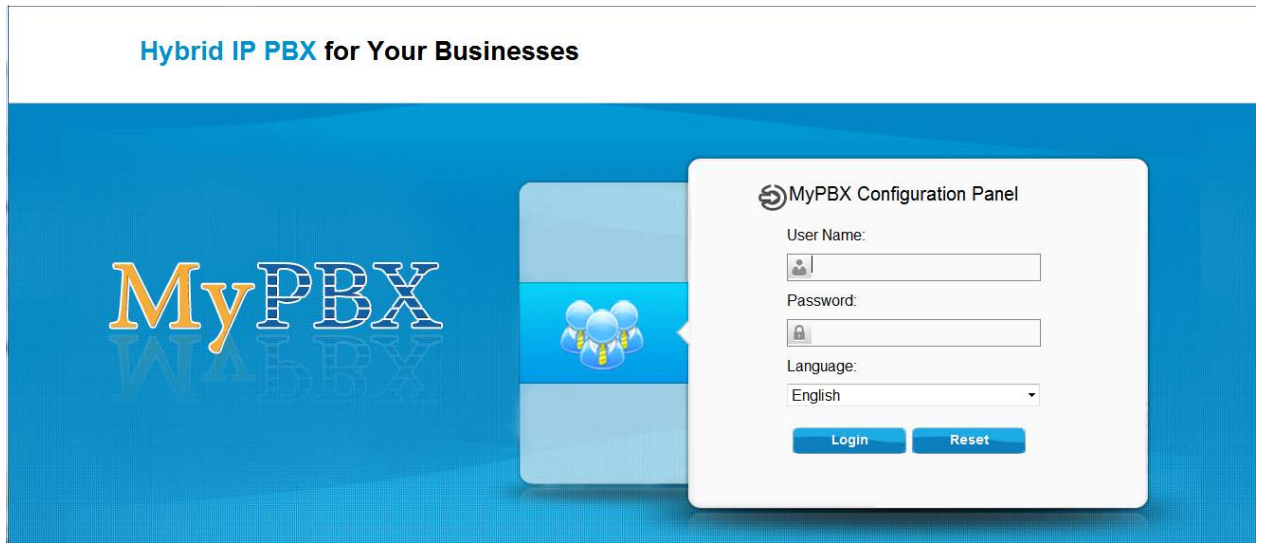


Figure 4-1 MyPBX Web Configuration Panel Login Page

Enter the Admin User Name and Password to log in.



Figure 4-2 MyPBX Admin Configuration Interface

Via the configuration interface, the admin can make all the system configurations, including network settings (LAN, WAN, Firewall, VPN, DDNS, VLAN, etc.); system parameters configuration (system prompts, time zone, password, etc.); internal settings (Web access port, user extension range, business hours, conference room, paging and intercom, music on Hold, etc.); inbound routes; outbound routes; user account management (add or delete an extension account, IP restriction, features setup, etc.); extended function management (call queue, conference room, IVR, etc.); call logs (search, download); firmware update and reset, etc.

i Please note that after saving the changes, remember to click the “Apply changes” button to make the changes take effect.

4.3 Network Settings

After logging in the admin configuration interface, generally the first step is to configure the IP address. If both the WAN and LAN ports are connected to the network, their IP addresses need to be configured. If not, just configuring the IP address of the LAN port which is connected to the local area network of the company is OK.


◆ WAN Settings

Click “Network Settings”->“WAN Settings” on the left menu bar.

1. If the network that the WAN port is connected to is using DHCP server as connection method, please select the “DHCP” (dynamic IP) option.
2. If the network connection method is “Static IP address”, please select this option and enter the LAN parameters (IP address, subnet mask, default gateway, DNS, etc.)
3. If MyPBX is connected to ADSL adapter directly, please select “PPPoE” option and enter the ADSL user name and password.

◆ LAN Settings

Click “Network Settings”->“LAN Settings” on the left menu bar of the web configuration interface. LAN port is used for the interoperability of IP terminals and MyPBX. If the LAN port is connected to the company’s LAN, please configure the correct IP address and corresponding subnet mask.

 Please note that after changing the IP address of LAN port, MyPBX should be rebooted to make the new changes taking effect.

4.4 Extensions Setup and management

MyPBX has already set up 6 extensions by default, which are extensions “300-305”. The password is “pincode + extension number”. It’s up to the user to decide whether to use these default extensions directly or after changing the passwords. Of course, they could be deleted. The admin could add, edit or delete the extensions via the Web Configuration Panel. In the “Extensions” page, there are “Add Extension”, “Add Bulk Extensions”, “Delete the Selected Extension” and “Edit Extension”(configure the features such as call forwarding and voicemail) subpages, etc.

4.5 Configuring Terminals


MyPBX could be connected with SIP-based audio and video IP terminal devices (e.g. IP Phone, voice gateway, and soft terminal, etc.). The steps of configuring terminals are as below:

Step 1: Make sure the IP terminal and MyPBX are interconnected

Step 2: Enter the IP address of MyPBX when configuring “SIP server”, “Proxy server”, or “Registration server” of the IP terminals, and the default SIP UDP port is 5060.

Step 3: Enter the account registration information with the “extension number/password” of the

default or newly setup extensions of MyPBX.

 For more information on terminal configuration, please refer to http://www.yeastar.com/Solutions/SIP_Phones.asp

Step 4: Reboot the IP terminal after configuration, and click “Status Monitor”->”Line Status” on the menu bar of MyPBX web configuration interface to check if it has registered successfully to MyPBX.

4.6 Making/Receiving calls

Note: The MyPBX default settings are sufficient to make phone calls. It is not necessary to make any changes unless the user wants to create new extensions or trunks. Refer to Administrator’s Guide for more.

1. Internal calls between extensions

If two IP terminals have registered to MyPBX successfully, the user could make calls between extensions just by dialing the other’s extension number.

2. Outbound calls

Firstly, please connect a PSTN line to the first FXO port. Then the default extensions are able to make outbound calls via this trunk by simply dialing “9+phone number+#”. The “#” is Key as Send.

Note: The dial pattern of the default outbound route is “9.”. But if the user has changed it, please dial the new prefix instead of the digit “9” when making outbound calls.


3. Inbound calls

When the user calls the trunk number of the PSTN line, MyPBX would route the call to IVR (the “welcome” prompt) by default. Then the user can dial the extension number following the prompt.

4.7 Reset to Factory Defaults

If you forget the new IP address or the password of admin, or in other cases that you would like to restore the factory defaults, please reset the device following the below instructions:

Please press the “RESET” button located in the back panel with a paper clip or a pencil tip, then you can see all of the LED indicators in the front panel would all turn red first and turn orange seconds later. When the indicator light becomes orange, the button could be released and system begins to reset. During the process, please do not power off until the LED indicators become normal which means the reset process is completed.

 Note: After resetting, all the configurations made by the admin would be erased.

5. Conclusion

This Installation Guide only explains the installation and basic settings of MyPBX U100 and U200 for making and receiving calls. For more functionality and advanced settings of MyPBX U100 and U200, please refer to the relative documents as below:

“MyPBX U100 Datasheet”

“MyPBX U200 Datasheet”

“MyPBX U100 & U200 Administrator’s Guide”

“MyPBX U100 & U200 Extension User's Guide”

[The End]